



# S175A

## API Single Cartridge Seal

### Materials

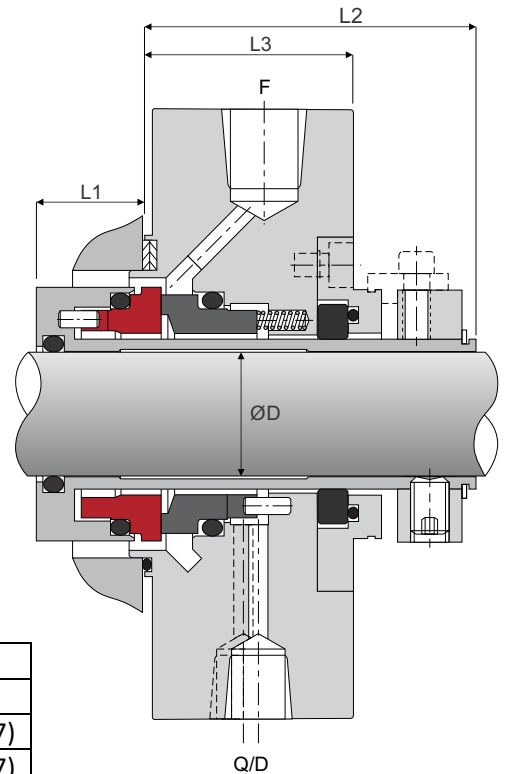
- Stationary - Car / SiC / SSiC / TC
- Rotary - SiC / SSiC / TC
- Elastomer - NBR / EPDM / Viton / Aflas / FFKM

### Working Conditions

- Pressure ≤ 40 bar
- Speed ≤ 25 m/s
- Temperature up to 205°C

### Features

- Stationary design
- Monolithic faces
- Cushioned faces
- Pressure balanced
- Spring outside the media
- Floating quench
- Optional hydro pads

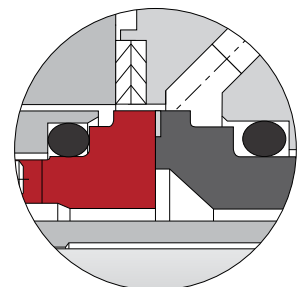


Inch ØD	Code	L1		L2		L3	
		mm	inch	mm	inch	mm	inch
1.000"	0254	33	(1.299)	60	(2.362)	36.5	(1.437)
1.125"	0286	33	(1.299)	60	(2.362)	36.5	(1.437)
1.250"	0317	33	(1.299)	60	(2.362)	36.5	(1.437)
1.375"	0349	33	(1.299)	60	(2.362)	36.5	(1.437)
1.500"	0381	33	(1.299)	60	(2.362)	36.5	(1.437)
1.625"	0412	33	(1.299)	60	(2.362)	36.5	(1.437)
1.750"	0444	33	(1.299)	60	(2.362)	36.5	(1.437)
1.875"	0476	33	(1.299)	60	(2.362)	36.5	(1.437)
2.000"	0508	33	(1.299)	60	(2.362)	36.5	(1.437)
2.125"	0539	33	(1.299)	60	(2.362)	36.5	(1.437)
2.250"	0572	33	(1.299)	60	(2.362)	36.5	(1.437)
2.375"	0603	33	(1.299)	60	(2.362)	36.5	(1.437)
2.500"	0635	33	(1.299)	60	(2.362)	36.5	(1.437)
2.625"	0666	33	(1.299)	60	(2.362)	36.5	(1.437)
2.750"	0698	33	(1.299)	60	(2.362)	36.5	(1.437)
2.875"	0730	33	(1.299)	60	(2.362)	36.5	(1.437)
3.000"	0762	33	(1.299)	60	(2.362)	36.5	(1.437)
3.125"	0794	33	(1.299)	60	(2.362)	36.5	(1.437)
3.250"	0825	33	(1.299)	60	(2.362)	36.5	(1.437)
3.375"	0857	33	(1.299)	60	(2.362)	36.5	(1.437)
3.500"	0889	33	(1.299)	60	(2.362)	36.5	(1.437)
3.625"	0921	33	(1.299)	60	(2.362)	36.5	(1.437)
3.750"	0953	33	(1.299)	60	(2.362)	36.5	(1.437)
3.875"	0984	33	(1.299)	60	(2.362)	36.5	(1.437)
4.000"	1016	33	(1.299)	60	(2.362)	36.5	(1.437)
4.125"	1048	33	(1.299)	60	(2.362)	36.5	(1.437)
4.250"	1080	33	(1.299)	60	(2.362)	36.5	(1.437)
4.375"	1111	33	(1.299)	60	(2.362)	36.5	(1.437)
4.500"	1143	33	(1.299)	60	(2.362)	36.5	(1.437)
4.625"	1175	33	(1.299)	60	(2.362)	36.5	(1.437)
4.750"	1207	33	(1.299)	60	(2.362)	36.5	(1.437)
4.875"	1238	33	(1.299)	60	(2.362)	36.5	(1.437)
5.000"	1270	33	(1.299)	60	(2.362)	36.5	(1.437)

### S175A Gland

Details to be confirmed by customer:

- Gland OD
- Stuffing Box Bore
- Hole size (Stud size)
- Hole/Stud PCD
- Number of Bolts/Studs



Optional Hydro Pads