



# S1846

API Single Cartridge Seal

### Materials

- Stationary - SiC / SiC / TC
- Rotary - SiC / SiC / TC
- Elastomer - EPDM / Viton / Aflas / FFKM

### Working Conditions

- Pressure ≤ 69 bar
- Speed ≤ 25 m/s
- Temperature from -40°C up to 300°C

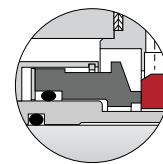
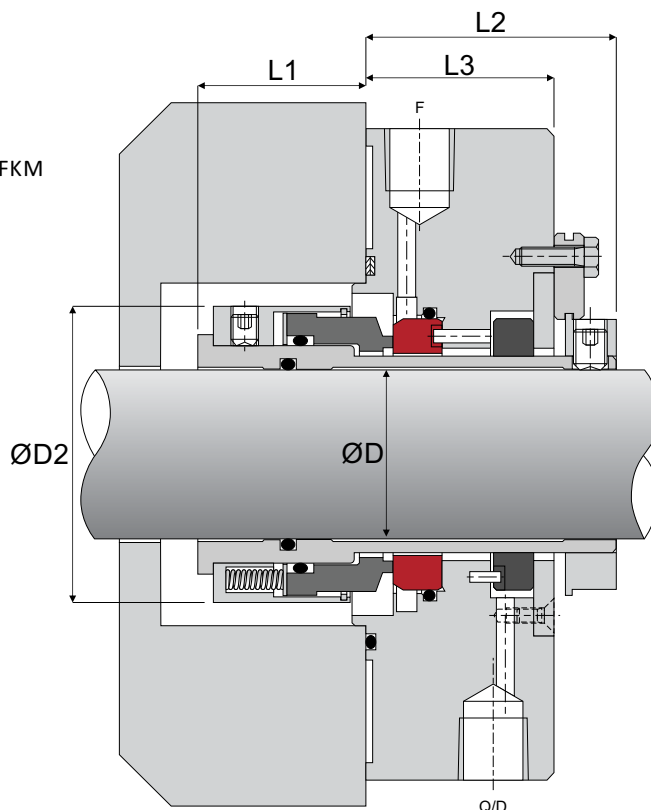
### Features

- API 682
- Optional pumping device
- High pressure capability
- Floating quench
- Carious Pressure options available
  - Low pressure
  - Medium pressure
  - High pressure

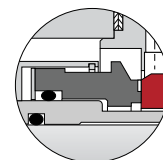
### S1846 Gland

Details to be confirmed by customer:

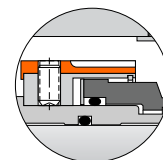
- Gland OD
- Hole size (Stud size)
- Hole/Stud PCD
- Number of Bolts/Studs



Optional Medium Pressure Design



Optional High Pressure Design



Optional Pumping Device

Code	Shaft ØD Max		ØD2		ØD4 Min		L1		L2		L3	
	mm	inch	mm	inch	mm	inch	mm	inch	mm	inch	mm	inch
0222	22.2	(0.874)	50.8	(2.000)	60.3	(2.374)	32.3	(1.272)	63.1	(2.484)	45.0	(1.772)
0254	25.4	(1.000)	54.0	(2.126)	63.5	(2.500)	32.3	(1.272)	63.1	(2.484)	45.0	(1.772)
0286	28.6	(1.126)	60.3	(2.374)	69.8	(2.748)	40.3	(1.587)	63.1	(2.484)	45.0	(1.772)
0320	32.0	(1.260)	63.5	(2.500)	73.0	(2.874)	40.3	(1.587)	63.1	(2.484)	45.0	(1.772)
0350	35.0	(1.378)	66.7	(2.626)	76.2	(3.000)	40.3	(1.587)	63.1	(2.484)	45.0	(1.772)
0381	38.1	(1.500)	69.9	(2.752)	79.4	(3.126)	40.3	(1.587)	63.1	(2.484)	45.0	(1.772)
0412	41.2	(1.622)	76.2	(3.000)	85.7	(3.374)	48.2	(1.898)	63.1	(2.484)	45.0	(1.772)
0444	44.4	(1.748)	79.4	(3.126)	88.9	(3.500)	48.2	(1.898)	63.1	(2.484)	45.0	(1.772)
0480	48.0	(1.890)	82.6	(3.252)	92.1	(3.626)	48.2	(1.898)	63.1	(2.484)	45.0	(1.772)
0508	50.8	(2.000)	85.7	(3.374)	95.3	(3.752)	48.2	(1.898)	63.1	(2.484)	45.0	(1.772)
0539	53.9	(2.122)	88.9	(3.500)	98.4	(3.874)	48.2	(1.898)	63.1	(2.484)	45.0	(1.772)
0571	57.1	(2.248)	92.1	(3.626)	101.6	(4.000)	48.2	(1.898)	63.1	(2.484)	45.0	(1.772)
0603	60.3	(2.374)	95.3	(3.752)	104.8	(4.126)	48.5	(1.909)	64.4	(2.535)	46.3	(1.823)
0635	63.5	(2.500)	96.8	(3.811)	106.3	(4.185)	48.5	(1.909)	64.4	(2.535)	46.3	(1.823)
0666	66.6	(2.622)	100.0	(3.937)	109.5	(4.311)	48.5	(1.909)	64.4	(2.535)	46.3	(1.823)
0700	70.0	(2.756)	104.8	(4.126)	114.3	(4.500)	48.5	(1.909)	64.4	(2.535)	46.3	(1.823)
0730	73.0	(2.874)	108.0	(4.252)	117.5	(4.626)	48.5	(1.909)	68.3	(2.689)	50.2	(1.976)
0762	76.2	(3.000)	111.1	(4.374)	120.7	(4.752)	48.5	(1.909)	68.3	(2.689)	50.2	(1.976)
0793	79.3	(3.122)	114.3	(4.500)	123.8	(4.874)	48.5	(1.909)	68.3	(2.689)	50.2	(1.976)
0825	82.5	(3.248)	117.5	(4.626)	127.0	(5.000)	48.5	(1.909)	68.3	(2.689)	50.2	(1.976)
0857	85.7	(3.374)	120.7	(4.752)	130.2	(5.126)	48.5	(1.909)	71.3	(2.807)	50.2	(1.976)
0889	88.9	(3.500)	123.8	(4.874)	133.4	(5.252)	48.5	(1.909)	71.3	(2.807)	50.2	(1.976)
0920	92.0	(3.622)	130.2	(5.126)	139.7	(5.500)	48.5	(1.909)	71.3	(2.807)	50.2	(1.976)
0952	95.2	(3.748)	133.4	(5.252)	142.9	(5.626)	48.5	(1.909)	71.3	(2.807)	50.2	(1.976)
0984	98.4	(3.874)	136.5	(5.374)	146.1	(5.752)	48.5	(1.909)	71.3	(2.807)	50.2	(1.976)
1016	101.6	(4.000)	139.7	(5.500)	149.2	(5.874)	48.5	(1.909)	71.3	(2.807)	50.2	(1.976)
1047	104.7	(4.122)	142.9	(5.626)	152.4	(6.000)	48.5	(1.909)	71.3	(2.807)	50.2	(1.976)
1079	107.9	(4.248)	146.1	(5.752)	155.6	(6.126)	48.5	(1.909)	71.3	(2.807)	50.2	(1.976)