



# S2906

API Double Metal Bellow Cartridge Seal

### Materials

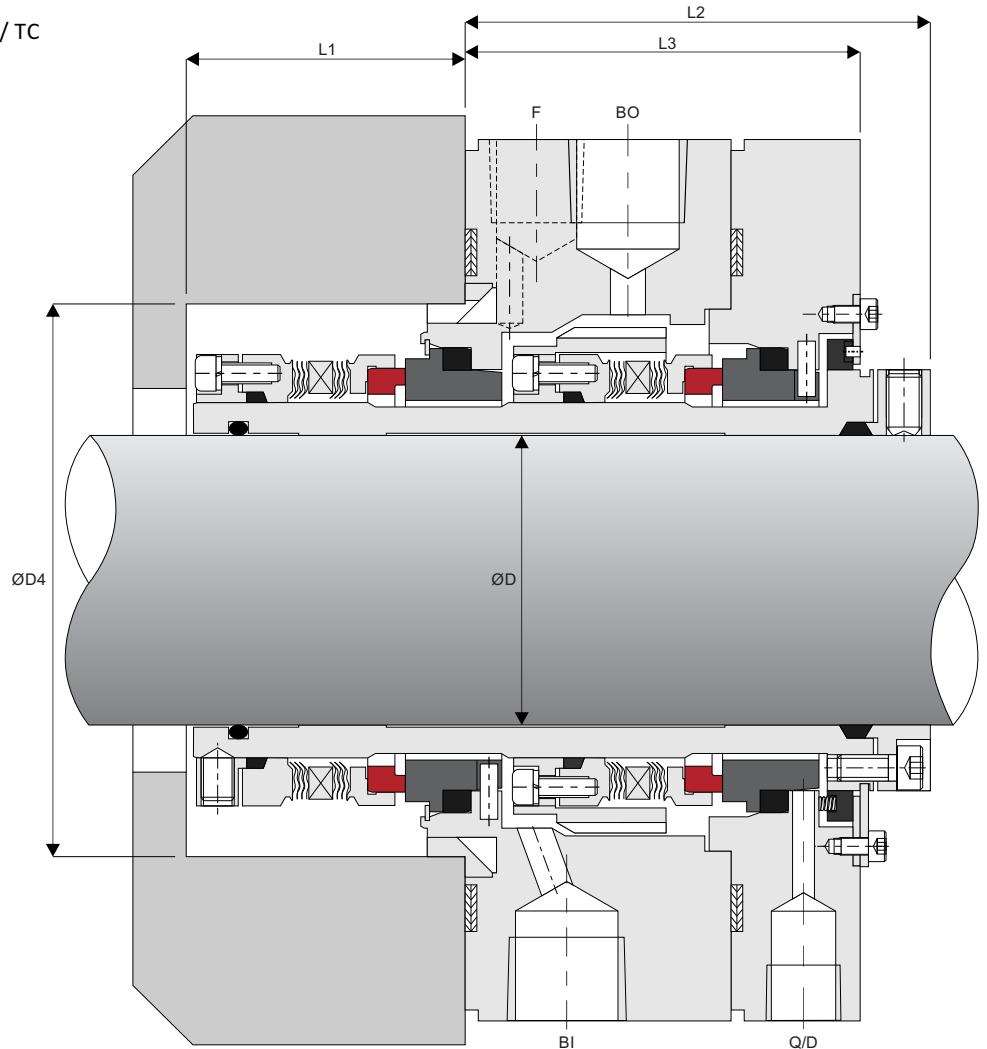
- Stationary - SiC / SSiC / TC
- Rotary - Ant Car / Car / SiC / SSiC / TC
- Elastomer - Graphite

### Working Conditions

- Pressure ≤ 20 bar
- Speed ≤ 25 m/s
- Temperature from -75°C up to 425°C

### Features

- API 682
- Bi-directional pumping device
- Safety seal
- High temperature
- Reverse pressure capable
- Optimum 45° tilt angle
- Multi-flush port



Seal Size	Shaft ØD MAX		ØD3		ØD4		STUD SIZE		ØD6 PCD		L1		L2		L3	
	mm	inch	mm	inch	mm	inch	mm	inch	mm	inch	mm	inch	mm	inch	mm	inch
1	20	(0.787)	NO DESIGN AVAILABLE FOR THIS SIZE													
2	30	(1.181)	140	(5.512)	80	(3.150)	M12x1.75	1/2"-13	115	(4.528)	52	(2.047)	98	(3.858)	82.0	(3.228)
3	40	(1.575)	150	(5.906)	90	(3.543)	M12x1.75	1/2"-13	125	(4.921)	57	(2.244)	98	(3.858)	82.0	(3.228)
4	50	(1.969)	175	(6.890)	100	(3.937)	M16x2.0	5/8"-11	140	(5.512)	52	(2.047)	108	(4.252)	92.0	(3.622)
5	60	(2.362)	195	(7.677)	120	(4.724)	M16x2.0	5/8"-11	160	(6.299)	57	(2.244)	108	(4.252)	92.0	(3.622)
6	70	(2.756)	205	(8.071)	130	(5.118)	M16x2.0	5/8"-11	170	(6.693)	62	(2.441)	108	(4.252)	92.0	(3.622)
7	80	(3.150)	215	(8.465)	140	(5.512)	M16x2.0	5/8"-11	180	(7.087)	67	(2.638)	108	(4.252)	92.0	(3.622)
8	90	(3.543)	245	(9.646)	160	(6.299)	M20x2.5	3/4"-10	205	(8.071)	62	(2.441)	119	(4.685)	102.0	(4.016)
9	100	(3.937)	255	(10.039)	170	(6.693)	M20x2.5	3/4"-10	215	(8.465)	67	(2.638)	119	(4.685)	102.0	(4.016)
10	110	(4.331)	265	(10.433)	180	(7.087)	M20x2.5	3/4"-10	225	(8.858)	72	(2.835)	119	(4.685)	102.0	(4.016)