



S386

API Double Cartridge Seal

Materials

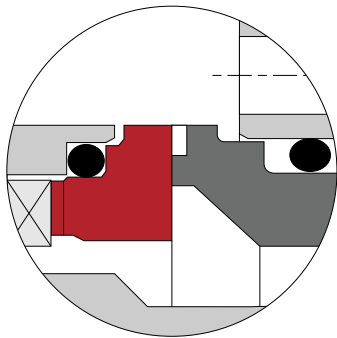
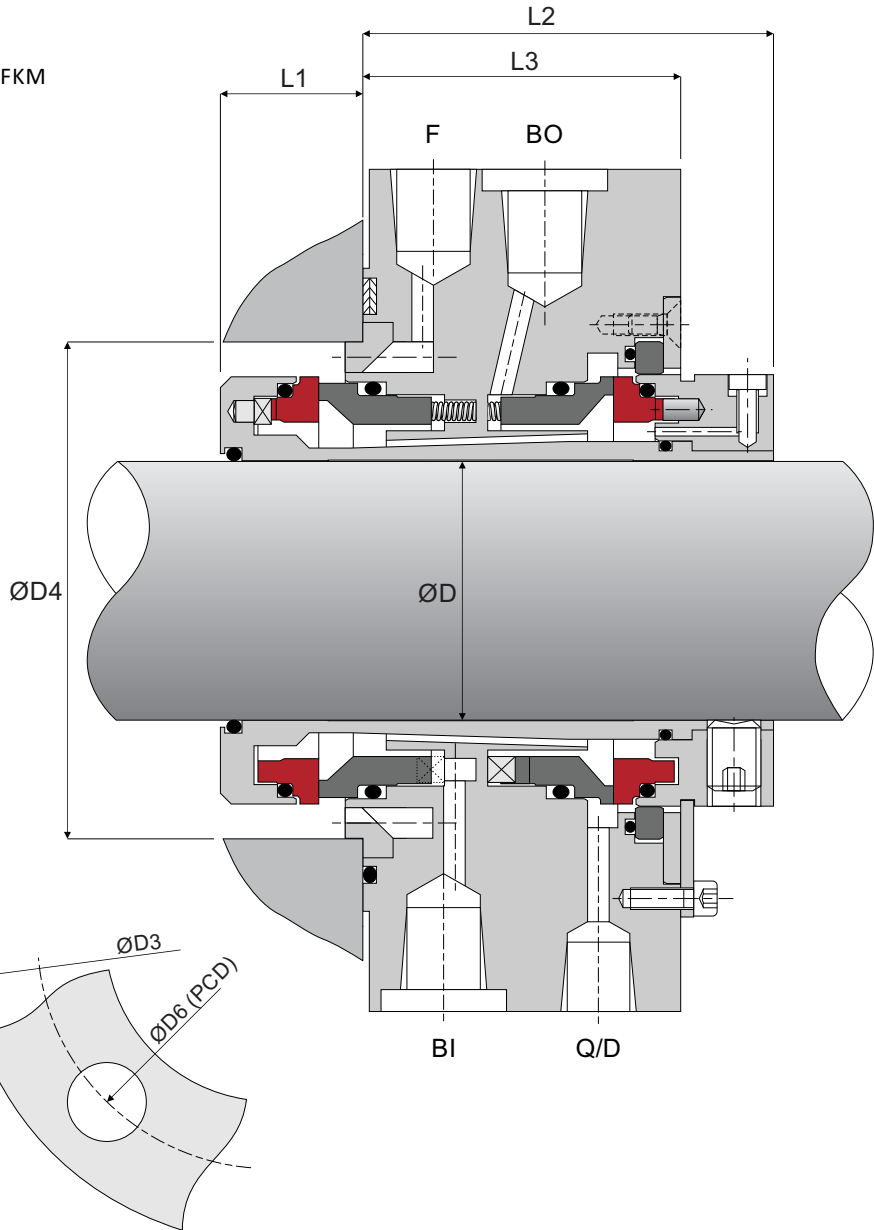
- Stationary - Car / SiC / SSiC / TC
- Rotary - SiC / SSiC / TC
- Elastomer - NBR / EPDM / Viton / Aflas / FFKM

Working Conditions

- Pressure ≤ 40 bar
- Speed ≤ 25 m/s
- Temperature up to 205°C

Features

- Stationary design API682
- Monolithic faces
- Cushioned faces
- Pressure balanced
- Springs outside of media
- Floating quench
- Multi-flush port
- Optional hydro pads
- Bi-directional pumping device



Optional Hydro Pads

Seal Size	Shaft ØD MAX		ØD3		ØD4		STUD SIZE		ØD6 PCD		L1		L2		L3	
	mm	inch	mm	inch	mm	inch	mm	inch	mm	inch	mm	inch	mm	inch	mm	inch
1	20	(0.787)	135	(5.315)	70	(2.756)	M12X1.75	1/2"-13	105	(4.134)	33	(1.299)	95	(3.740)	73.5	(2.894)
2	30	(1.181)	145	(5.709)	80	(3.150)	M12X1.75	1/2"-13	115	(4.528)	33	(1.299)	95	(3.740)	73.5	(2.894)
3	40	(1.575)	155	(6.102)	90	(3.543)	M12X1.75	1/2"-13	125	(4.921)	33	(1.299)	95	(3.740)	73.5	(2.894)
4	50	(1.969)	175	(6.890)	100	(3.937)	M16X2.0	5/8"-11	140	(5.512)	33	(1.299)	95	(3.740)	73.5	(2.894)
5	60	(2.362)	195	(7.677)	120	(4.724)	M16X2.0	5/8"-11	160	(6.299)	33	(1.299)	95	(3.740)	73.5	(2.894)
6	70	(2.756)	205	(8.071)	130	(5.118)	M16X2.0	5/8"-11	170	(6.693)	33	(1.299)	95	(3.740)	73.5	(2.894)
7	80	(3.150)	215	(8.465)	140	(5.512)	M16X2.0	5/8"-11	180	(7.087)	33	(1.299)	95	(3.740)	73.5	(2.894)
8	90	(3.543)	290	(11.417)	160	(6.299)	M20X2.5	3/4"-10	205	(8.071)	33	(1.299)	95	(3.740)	73.5	(2.894)
9	100	(3.937)	300	(11.811)	170	(6.693)	M20X2.5	3/4"-10	215	(8.465)	33	(1.299)	95	(3.740)	73.5	(2.894)
10	110	(4.331)	310	(12.205)	180	(7.087)	M20X2.5	3/4"-10	225	(8.858)	33	(1.299)	95	(3.740)	73.5	(2.894)