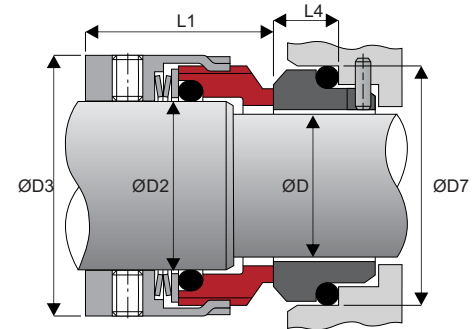


### Materials

Rotary	- Car / Sic / SSic / TC
Stationary	- SS / Sic / SSic / TC
Elastomer	- NBR / EPDM / Viton / FFKM / Aflas

### Working Conditions

Pressure	≤ 62 bar
Speed	≤ 20 m/s
Temperature up to	205°C



Metric		L1	ØD3	SS9	
ØD	ØD2			L4	ØD7
14	18	32.5	33	10.0	25.0
16	20	32.5	35	10.0	27.0
18	22	33.5	37	11.5	33.0
20	24	33.5	39	11.5	35.0
22	26	33.5	41	11.5	37.0
24	28	36.0	43	11.5	39.0
25	30	36.0	45	11.5	40.0
28	33	38.5	48	11.5	43.0
30	35	38.5	50	11.5	45.0
32	38	38.5	55	11.5	48.0
35	40	38.5	57	11.5	50.0
38	43	38.5	60	14.0	56.0
40	45	38.5	62	14.0	58.0
43	48	38.5	65	14.0	61.0
45	50	38.5	67	14.0	63.0
48	53	38.5	70	14.0	66.0
50	55	42.5	72	15.0	70.0
53	58	42.5	79	15.0	73.0
55	60	42.5	81	15.0	75.0
58	63	47.5	84	15.0	78.0
60	65	47.5	86	15.0	80.0
63	68	47.5	89	15.0	83.0
65	70	47.5	91	15.0	85.0
70	75	52.0	99	18.0	92.0
75	80	52.0	104	18.0	97.0
80	85	51.8	109	18.2	105.0
85	90	56.8	114	18.2	110.0
90	95	56.8	119	18.2	115.0
95	100	57.8	124	17.2	120.0
100	105	57.8	129	17.2	125.0
105	115	53.0	148	20.0	134.0
110	120	53.0	153	20.0	140.3
115	125	53.0	158	20.0	148.3
120	130	53.0	163	20.0	150.3