



SM7N

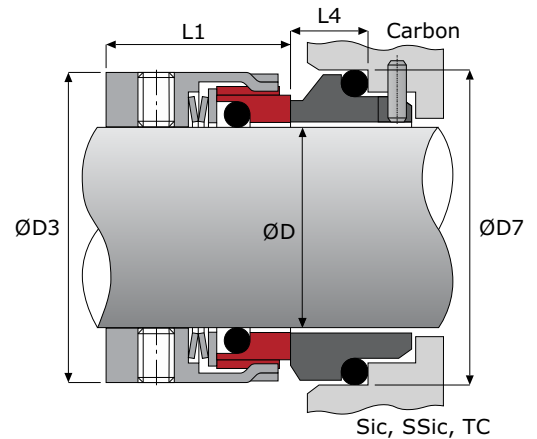
Wave Spring Seal

Materials

- Rotary - Car / Sic / SSic / TC
- Stationary - Sic / SSic / TC / SS
- Elastomer - NBR / EPDM / Viton

Working Conditions

- Pressure ≤ 25 bar
- Speed ≤ 20 m/s
- Temperature up to 205°C



Shaft ØD	L1	ØD3	SS9	
			L4	ØD7
14	25	25	10	25
16	25	27	10	27
18	26	33	11.5	33
20	26	35	11.5	35
22	26	37	11.5	37
24	28.5	39	11.5	39
25	28.5	40	11.5	40
28	31	43	11.5	43
30	31	45	11.5	45
32	31	47	11.5	48
33	31	48	11.5	48
35	31	50	11.5	50
38	31	55	14	56
40	31	57	14	58
43	31	60	14	61
45	31	62	14	63
48	31	65	14	66
50	32.5	67	15	70
53	32.5	70	15	73
55	32.5	72	15	75
58	37.5	79	15	78
60	37.5	81	15	80
63	37.5	84	15	83
65	37.5	86	15	85
68	34.5	89	18	90
70	42	91	18	92
75	42	99	18	97
80	41.8	104	18.2	105