

Materials

| | |
|------------|-------------------------------|
| Stationary | - Car / Sic / SSic / TC |
| Rotary | - Sic / SSic / TC |
| Elastomer | - Aflas / EPDM / FFKM / Viton |

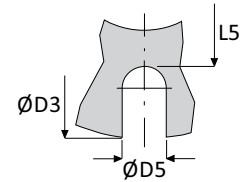
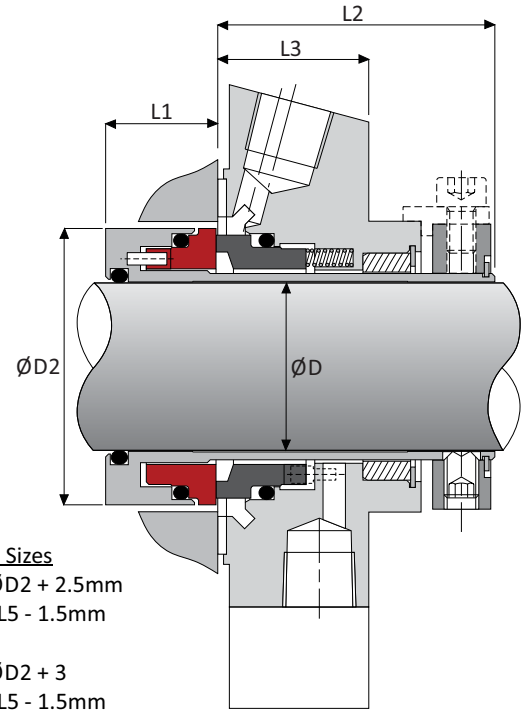
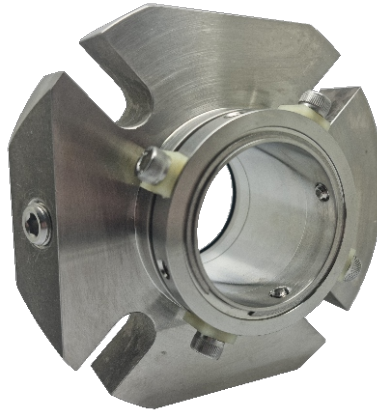
Working Conditions

| | |
|-------------------|----------|
| Pressure | < 28 bar |
| Speed | < 35 m/s |
| Temperature up to | 205°C* |

*Material Dependant

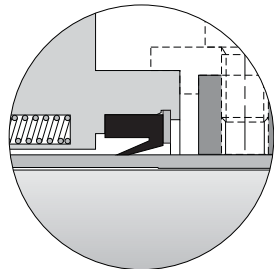
Features:

- Stationary Design
- Monolithic Faces
- Cushioned Faces
- Pressure Balanced
- Springs outside the media



| Shaft ØD | | ØD2 | ØD3 | ØD5 | L1 | L2 | L3 | L5 |
|----------|--------|-------|-----|------|------|------|------|-----|
| Inches | Metric | | | | | | | |
| 1.000" | 24 | 43.5 | 104 | 12.5 | 19.0 | 45.0 | 21.5 | 62 |
| | 25 | 43.5 | 104 | 12.5 | 19.0 | 45.0 | 21.5 | 62 |
| 1.125" | 28 | 46.5 | 104 | 12.5 | 19.0 | 45.0 | 21.5 | 62 |
| - | 30 | 48.5 | 104 | 12.5 | 19.0 | 45.0 | 21.5 | 65 |
| 1.250" | 32 | 50.0 | 104 | 12.5 | 19.0 | 45.0 | 21.5 | 67 |
| | 33 | 50.0 | 104 | 12.5 | 19.0 | 45.0 | 21.5 | 67 |
| 1.375" | 35 | 53.5 | 110 | 12.5 | 19.0 | 45.0 | 21.5 | 70 |
| 1.500" | 38 | 56.5 | 125 | 14.7 | 19.0 | 45.0 | 21.5 | 75 |
| - | 40 | 58.5 | 125 | 14.7 | 19.0 | 45.0 | 21.5 | 75 |
| 1.625" | - | 60.5 | 133 | 14.7 | 19.0 | 45.0 | 21.5 | 80 |
| - | 43 | 61.5 | 133 | 14.7 | 19.0 | 45.0 | 21.5 | 80 |
| 1.750" | 45 | 63.5 | 140 | 14.7 | 19.0 | 45.0 | 21.5 | 81 |
| 1.875" | 48 | 66.5 | 140 | 14.7 | 19.0 | 45.0 | 21.5 | 84 |
| 2.000" | 50 | 68.5 | 140 | 14.7 | 19.0 | 45.0 | 21.5 | 87 |
| 2.125" | 53 | 71.5 | 150 | 17.5 | 19.0 | 45.0 | 21.5 | 90 |
| - | 55 | 73.5 | 150 | 17.5 | 19.0 | 45.0 | 21.5 | 92 |
| 2.250" | - | 76.5 | 160 | 17.5 | 19.0 | 45.0 | 21.5 | 95 |
| 2.375" | 60 | 78.5 | 160 | 17.5 | 19.0 | 45.0 | 21.5 | 100 |
| 2.500" | - | 81.5 | 170 | 17.5 | 19.0 | 45.0 | 21.5 | 103 |
| - | 65 | 83.5 | 165 | 17.5 | 19.0 | 45.0 | 21.5 | 105 |
| 2.625" | - | 86.5 | 180 | 17.5 | 19.0 | 45.0 | 21.5 | 110 |
| 2.750" | 70 | 88.5 | 180 | 17.5 | 19.0 | 45.0 | 21.5 | 120 |
| 2.875" | - | 98.0 | 190 | 17.5 | 20.5 | 48.5 | 24.0 | 123 |
| 3.000" | 75 | 100.0 | 190 | 17.5 | 20.5 | 48.5 | 24.0 | 125 |
| 3.125" | - | 105.0 | 190 | 17.5 | 20.5 | 48.5 | 24.0 | 130 |
| - | 80 | 105.0 | 190 | 17.5 | 20.5 | 48.5 | 24.0 | 130 |
| 3.250" | - | 108.0 | 220 | 17.5 | 20.5 | 48.5 | 24.0 | 133 |
| 3.375" | 85 | 110.0 | 220 | 21.5 | 20.5 | 48.5 | 24.0 | 135 |
| 3.500" | 90 | 115.0 | 220 | 21.5 | 20.5 | 48.5 | 24.0 | 140 |
| 3.625" | - | 117.0 | 220 | 21.5 | 20.5 | 48.5 | 24.0 | 142 |
| 3.750" | 95 | 120.0 | 220 | 21.5 | 20.5 | 48.5 | 24.0 | 145 |
| 3.875" | | 125.0 | 220 | 21.5 | 20.5 | 48.5 | 24.0 | 145 |
| 4.000" | 100 | 125.0 | 220 | 21.5 | 20.5 | 48.5 | 24.0 | 150 |
| 4.125" | 105 | 130.0 | 240 | 21.5 | 20.5 | 50.5 | 30.0 | 170 |
| 4.250" | 110 | 135.0 | 240 | 21.5 | 20.5 | 50.5 | 30.0 | 170 |
| 4.375" | 110 | 135.0 | 240 | 21.5 | 20.5 | 50.5 | 30.0 | 170 |
| 4.500" | 115 | 140.0 | 250 | 21.5 | 20.5 | 50.5 | 30.0 | 180 |
| 4.625" | 120 | 145.0 | 250 | 21.5 | 20.5 | 50.5 | 30.0 | 180 |
| 4.750" | 120 | 145.0 | 250 | 21.5 | 20.5 | 50.5 | 30.0 | 180 |
| 4.875" | 125 | 150.0 | 250 | 21.5 | 20.5 | 50.5 | 30.0 | 180 |
| 5.000" | 130 | 155.0 | 260 | 21.5 | 20.5 | 50.5 | 30.0 | 190 |

S145W
Water Quench



S145R
Carbon Restriction Bush

