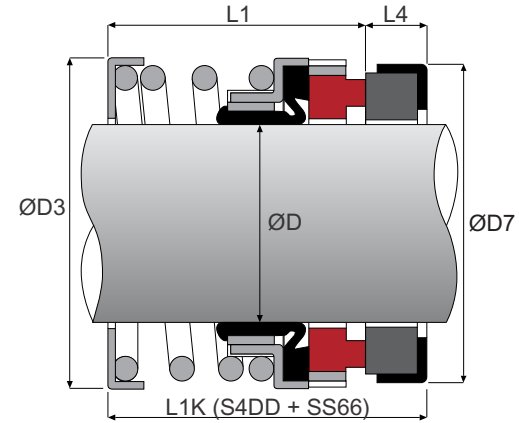


Materials

Stationary	- Car, SiC, SSiC, TC
Rotary	- Car, SiC, SSiC, TC
Elastomer	- NBR, EPDM, Viton

Working Conditions

Pressure	< 8 bar
Speed	< 10 m/s
Temperature up to	150°C



Metric		ØD3	L1	L1K	SS66	
Shaft ØD	Code				ØD7	L4
12	0120	21.70	23.90	32.50	23	8.60
14	0140	24.50	26.40	35.00	25	8.60
16	0160	26.65	26.40	35.00	27	8.60
18	0180	30.35	27.50	37.50	33	10.00
20	0200	33.40	27.50	37.50	35	10.00
22	0220	33.55	27.50	37.50	37	10.00
24	0240	38.30	29.80	39.80	39	10.00
25	0250	39.30	30.00	40.00	40	10.00
28	0280	42.20	32.50	42.50	43	10.00
30	0300	43.95	32.50	42.50	45	10.00
32	0320	45.75	32.50	42.50	48	10.00
33	0330	45.85	32.50	42.50	48	10.00
35	0350	49.10	32.50	42.50	50	10.00
38	0380	52.60	34.00	45.00	56	11.00
40	0400	55.70	34.00	45.00	58	11.00
43	0430	58.80	34.00	45.00	61	11.00
45	0450	61.00	34.00	45.00	63	11.00
48	0480	64.20	34.00	45.00	66	11.00
50	0500	66.60	34.50	47.50	70	13.00
53	0530	70.65	34.50	47.50	73	13.00
55	0550	71.65	34.50	47.50	75	13.00
58	0580	78.40	39.50	52.50	78	13.00
60	0600	78.40	39.50	52.50	80	13.00
63	0630	81.50	39.50	52.50	83	13.00
65	0650	84.30	39.50	52.50	85	13.00
68	0680	89.65	37.20	52.50	90	15.30
70	0700	89.65	44.70	60.00	92	15.30
75	0750	96.80	44.70	60.00	97	15.30
80	0800	104.00	44.30	60.00	105	15.70
85	0850	107.95	44.30	60.00	110	15.70
90	0900	111.10	49.30	65.00	115	15.70
95	0950	119.00	49.30	65.00	120	15.70
100	1000	124.00	49.30	65.00	125	15.70