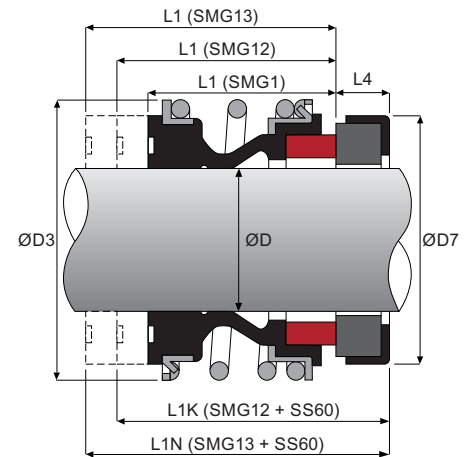


Materials

Stationary	- Cer / SiC / SSiC / TC
Rotary	- Car / SiC / SSiC / TC
Elastomer	- NBR / EPDM / Viton

Working Conditions

Pressure	< 12 bar
Speed	< 12 m/s
Temperature	up to 150°C



Metric		ØD3	L1 (SMG1)	L1 (SMG12)	L1 (SMG13)	L1K	L1N	SS60	
Shaft ØD	Code							ØD7	L4
10	0100	24.0	14.5	25.9	33.4	32.5	40.0	21	6.6
12	0120	24.0	15.0	25.9	33.4	32.5	40.0	23	6.6
14	0140	28.0	17.0	28.4	33.4	35.0	40.0	25	6.6
15	0150	28.0	17.0	28.4	33.4	35.0	40.0	25	6.6
16	0160	28.0	17.0	28.4	33.4	35.0	40.0	27	6.6
17	0170	31.0	19.5	30.0	37.5	37.5	45.0	33	7.5
18	0180	31.0	19.5	30.0	37.5	37.5	45.0	33	7.5
19	0190	36.0	21.5	30.0	37.5	37.5	45.0	35	7.5
20	0200	36.0	21.5	30.0	37.5	37.5	45.0	35	7.5
22	0220	36.0	21.5	30.0	37.5	37.5	45.0	37	7.5
24	0240	40.5	22.5	32.5	42.5	40.0	50.0	39	7.5
25	0250	41.0	23.0	32.5	42.5	40.0	50.0	40	7.5
28	0280	47.0	26.5	35.0	42.5	42.5	50.0	43	7.5
30	0300	47.0	26.5	35.0	42.5	42.5	50.0	45	7.5
32	0320	51.0	27.5	35.0	47.5	42.5	55.0	48	7.5
33	0330	51.0	27.5	35.0	47.5	42.5	55.0	48	7.5
35	0350	55.0	28.5	35.0	47.5	42.5	55.0	50	7.5
38	0380	58.0	30.0	36.0	46.0	45.0	55.0	56	9.0
40	0400	60.0	30.0	36.0	46.0	45.0	55.0	58	9.0
43	0430	63.0	30.0	36.0	51.0	45.0	60.0	61	9.0
45	0450	65.0	30.0	36.0	51.0	45.0	60.0	63	9.0
48	0480	69.0	30.5	36.0	51.0	45.0	60.0	66	9.0
50	0500	71.0	30.5	38.0	50.5	47.5	60.0	70	9.5
53	0530	76.0	33.0	36.5	59.0	47.5	70.0	73	11.0
55	0550	78.0	35.0	36.5	59.0	47.5	70.0	75	11.0
58	0580	82.0	37.0	41.5	59.0	52.5	70.0	78	11.0
60	0600	85.0	38.0	41.5	59.0	52.5	70.0	80	11.0
65	0650	90.0	40.0	41.5	69.0	52.5	80.0	85	11.0
68	0680	94.0	40.0	48.7	68.7	60.0	80.0	90	11.3
70	0700	97.0	40.0	48.7	68.7	60.0	80.0	92	11.3
75	0750	102.0	40.0	48.0	68.7	59.3	80.0	97	11.3
80	0800	108.0	40.0	48.0	78.0	60.0	90.0	105	12.0
85	0850	117.0	41.0	46.0	76.0	60.0	90.0	110	14.0
90	0900	126.0	45.0	51.0	76.0	65.0	90.0	115	14.0
95	0950	131.0	46.0	51.0	76.0	65.0	90.0	120	14.0
100	1000	136.0	47.0	51.0	76.0	65.0	90.0	125	14.0