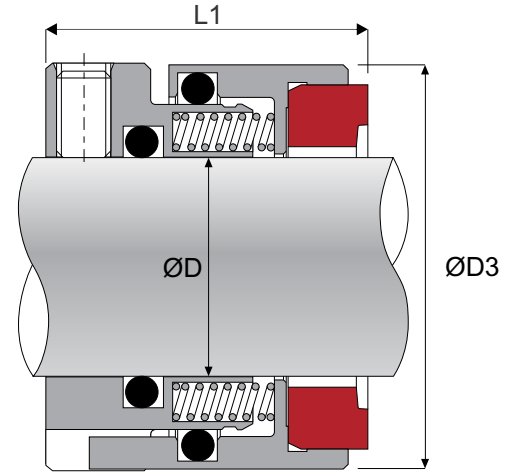


### Materials

Rotary - Car / SiC / SSiC / TC  
 Elastomer - NBR / EPDM / Viton / Aflas / FFKM

### Working Conditions

Pressure ≤ 30 bar  
 Speed ≤ 30 m/s  
 Temperature up to 205°C



Shaft Ø	ØD3	L1
20	34	20
22	36	20
24	38	22
25	39	23
28	42	23
30	44	24
32	46	24
33	47	24
35	49	24
38	54	27
40	56	28
43	59	28
45	61	28
48	64	28
50	66	27
53	69	27
55	71	27
58	78	29
60	80	29
63	83	32
65	85	32
68	88	32
70	90	32
75	99	32
80	104	32
85	109	32
90	114	38
95	119	38
100	124	38