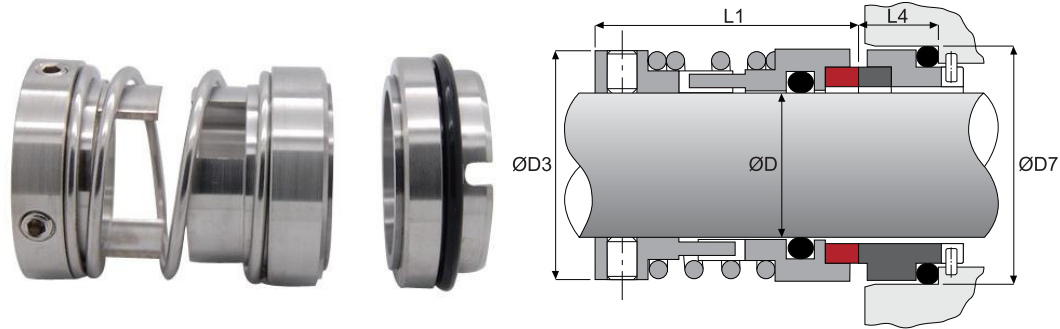


**Materials**

Rotary	- Car / Sic / SSic / TC
Stationary	- Car / Sic / SSic / TC
Elastomer	- NBR / EPDM / Viton

**Working Conditions**

Pressure	≤ 12 bar
Speed	≤ 16 m/s
Temperature	up to 180°C



Metric Shaft ØD	ØD3	L1	ØD7	L4
20	34	41	35	13
22	36	41	37	13
24	38	43	39	13
25	39	43	40	13
28	42	45	43	13
30	44	45	45	13
33	47	45	48	13
35	49	49	50	13
38	54	53	56	13
40	56	55	58	13
43	59	55	61	13
45	61	55	63	13
48	64	55	66	13
50	66	60	68	13
53	69	61	71	13
55	71	61	73	13
58	76	63	79	16
60	78	63	81	16
63	81	63	84	16
65	83	67	86	16
70	90	68	92	16
75	95	72	97	16
80	100	72	105	16
85	105	77	110	16